

Item: \_\_\_\_\_

Quantity: \_\_\_\_\_

Project: \_\_\_\_\_

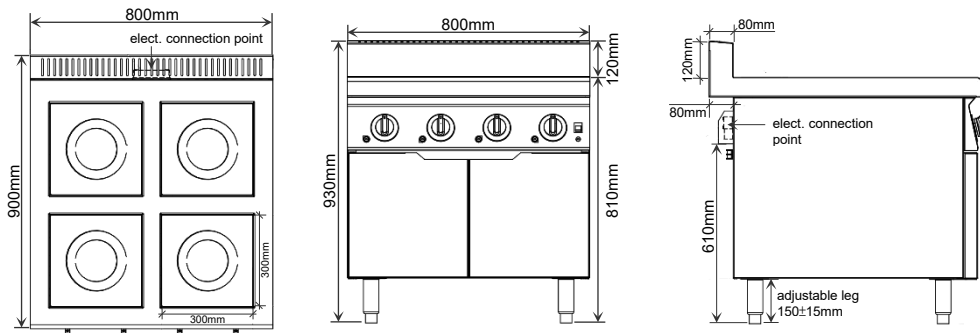
## Induction 4-Zone Flat Range



model: HZT4-C9014A

- Patented coil mounting rack design (patent no.: ZL 2015 1 0428363.X)
- IPX4 waterproof design to protect against water splash, grease and insect
- One piece 1.5mm (Tk) SUS304 stainless steel top
- 4 pcs of glass-ceramic plate, each 300mm x 300mm x 4mm (Tk) and suitable for Ø200-300mm pot or pan
- 5-level of power control with light indicator

### Specifications



<b>Model:</b>	<b>HZT4-C9014A</b>
<b>Dimension (WxDxH):</b>	800 x 900 x (810+120) mm
<b>Glass-ceramic plate:</b>	300 x 300 x 4 (Tk) mm x 4 pcs
<b>Power control:</b>	5-level
<b>Electric loading:</b>	380V / 50Hz / 3ph+N, 4 x 3.5kW