

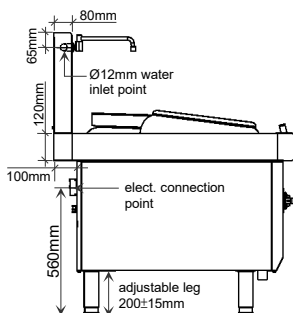
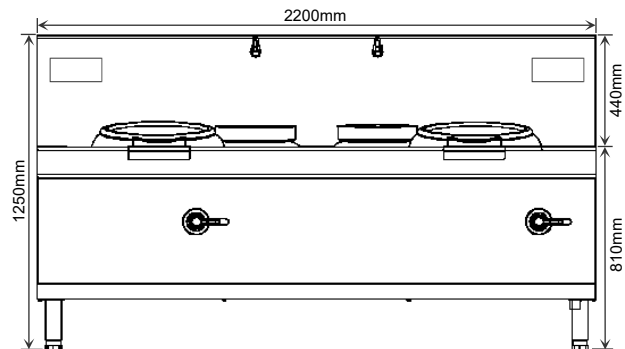
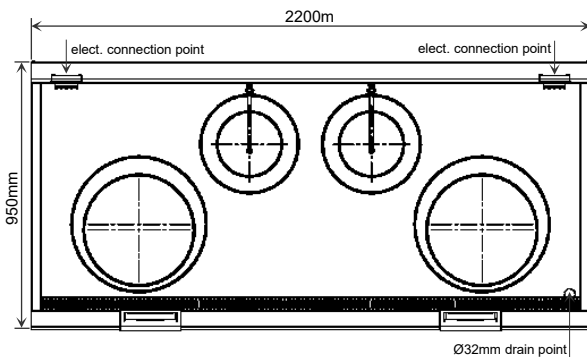
Induction Twin Wok Range w/ 2 Rear Pots



model: HZC2-C4030A-W2

- Patented open-fire simulation and voltage control (patent no.: ZL 2014 1 0805681.9)
- Patented coil mounting rack design (patent no.: ZL 2015 1 0428363.X)
- IPX4 waterproof design to protect against water splash, grease and insect
- One piece deep drawn 1.5mm (Tk) SUS304 stainless steel top
- 2 pcs of glass-ceramic plate, each $\text{Ø}400\text{mm} \times 6\text{mm}$ (Tk) and suitable for $\text{Ø}483\text{mm}$ (19") Chinese wok
- 5-level of power control with LED display
- 180° swivel activated faucet
- Unit comes with 2 pcs of $\text{Ø}483\text{mm}$ (19") Chinese wok

Specifications



Model:	HZC2-C4030A-W2
Dimension (WxDxH):	2200 x 950 x (810+440) mm
Glass-ceramic plate:	$\text{Ø}400 \times 6$ (Tk) mm x 2 pcs
Power control:	5-level
Water inlet and drain:	12mm inlet / 32mm drain
Electric loading:	380V / 50Hz / 3ph+N, 2 x 15kW