

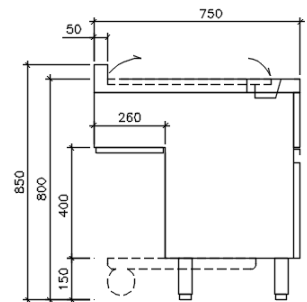
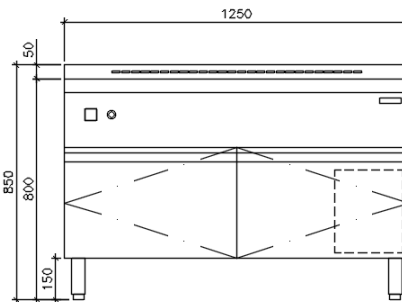
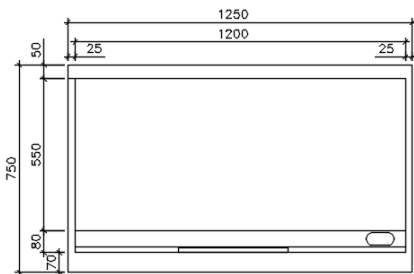
Project: _____

Item: _____

Quantity: _____

Electric Teppanyaki Grill (model: T125)

- 20mm thick steel plate
- electric operated and digital temperature display
- built-in exhaust air filter chamber
- grill top completed with electric lifting device
- unit comes with removable drip tray and stainless steel rubbish bin
- grade SUS304 stainless steel with hairline finish body
- down draft exhaust system (by others)
- steel plate dim: 1200 x 550 mm



Model:	T125
Dimension: Width	1250 mm
Depth	750 mm
Height	800+50 mm
Cooking Surface Dimension:	1200 mm W x 550 mm D
Designed Temperature:	280 °C (maximum)
Filter Type:	Grease Filter
Exhaust Rate:	500 CFM; 550 PA Static Pressure
Electric Loading:	380V / 50h / 3ph+N, 6kW